

FIGURE 22.1 Various cutting operations that can be performed on a lathe. Note that all parts have circular symmetry.

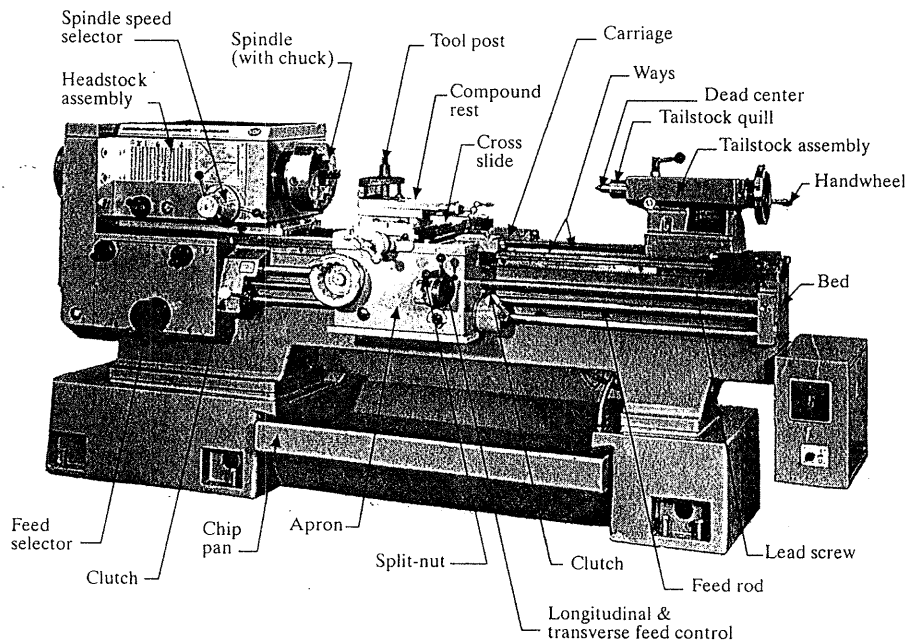


FIGURE 22.2 Components of a lathe. Source: Courtesy of Heidenreich & Harbeck

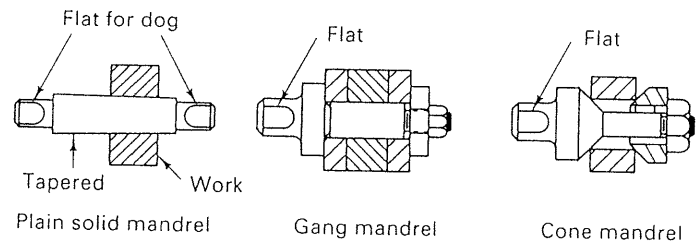


FIGURE 23-35 Three types of mandrels.

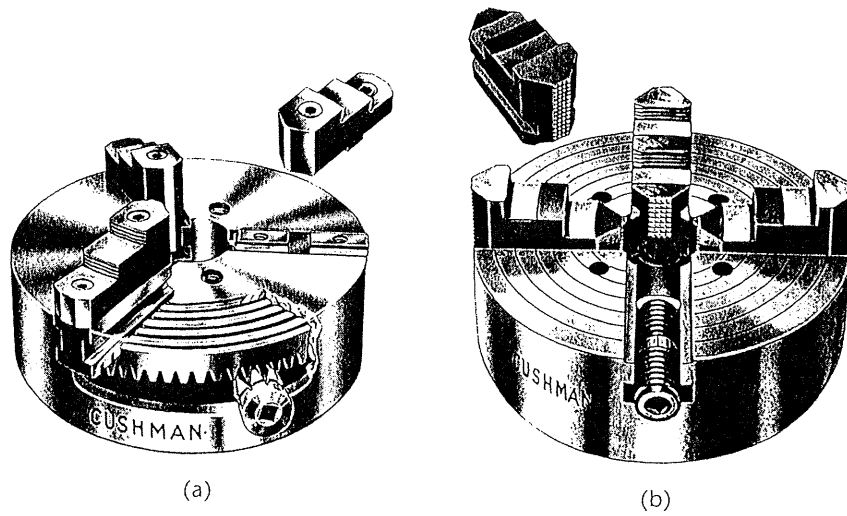


FIGURE 23-36 Lathe chucks. (Left) four-jaw independent. (Right) three-jaw, self-centering. (Courtesy of Cushman Industries, Incorporated.)